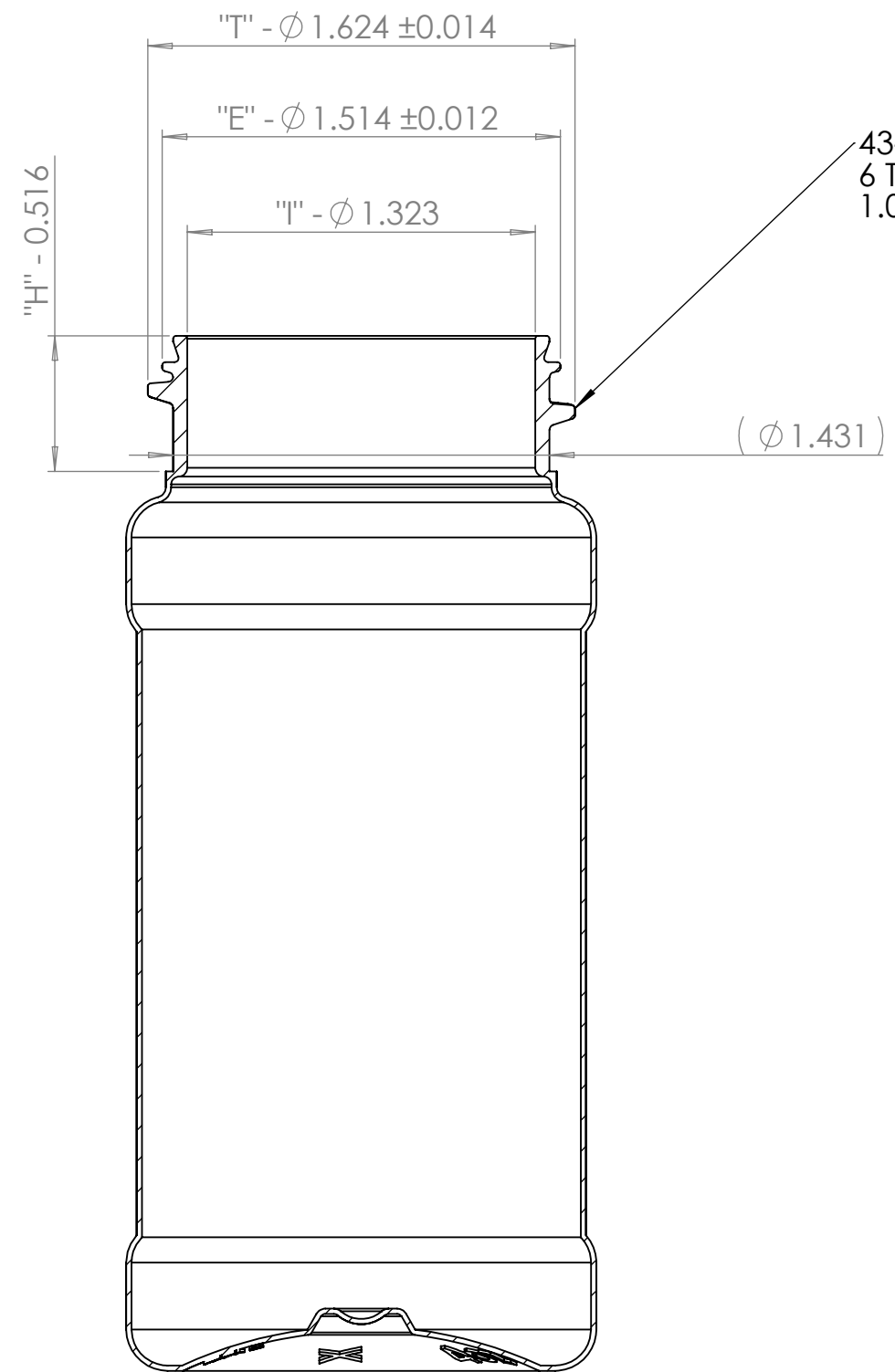
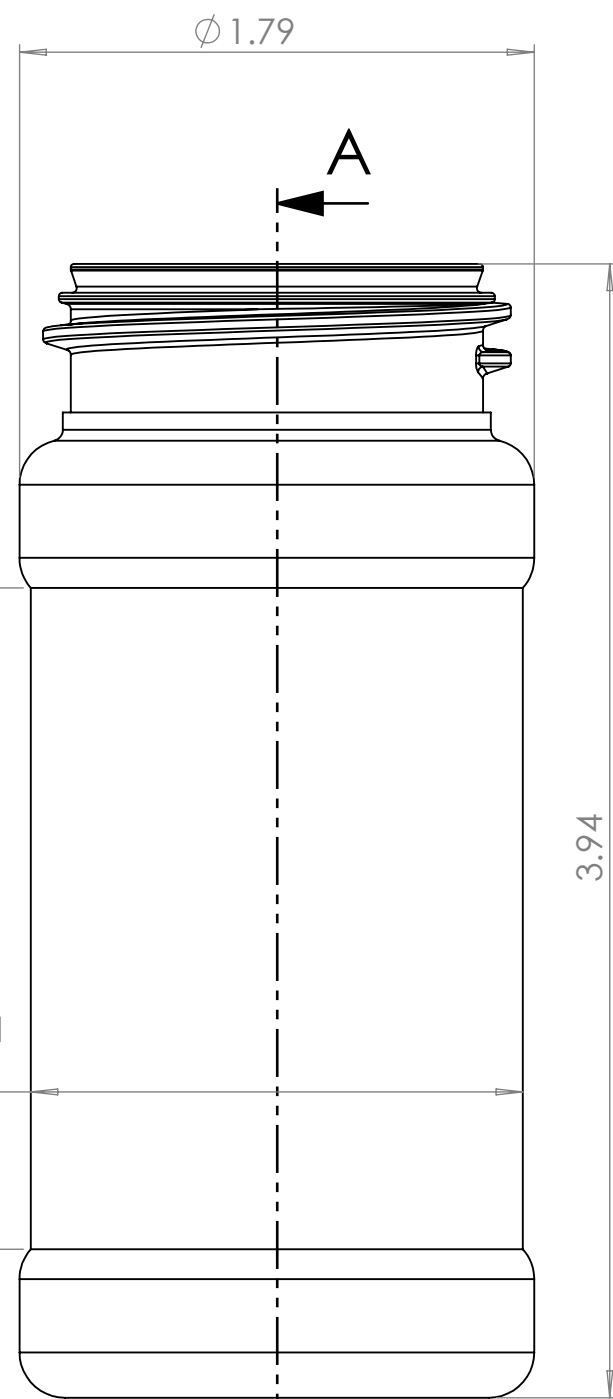
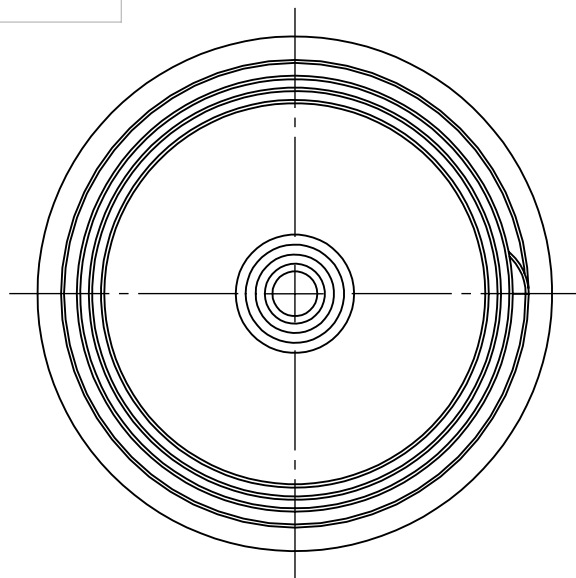
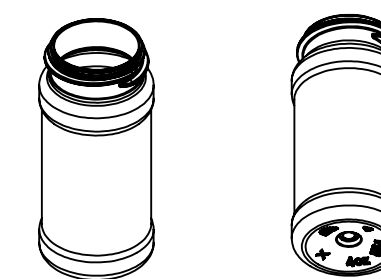
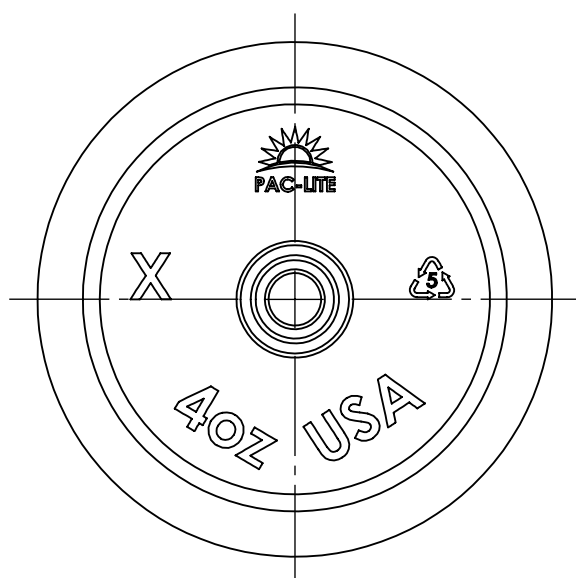


REV	DATE	DESCRIPTION
0	11/12/2025	DRAWING CREATED
1	04/06/2026	REV ADDED LABEL DIMS



SECTION A-A



PROPRIETARY AND CONFIDENTIAL
 THE INFORMATION CONTAINED IN THIS DRAWING IS THE SOLE PROPERTY OF PHARMACY-LITE. ANY REPRODUCTION IN PART OR AS A WHOLE WITHOUT THE WRITTEN PERMISSION OF PHARMACY-LITE IS PROHIBITED.

UNLESS OTHERWISE SPECIFIED:	
DIMENSIONS ARE IN INCHES	
TOLERANCES:	
FRACTIONAL: ± 1/32	
ANGULAR: MACH ± 0.1°	
BEND ± 2.5°	
TWO PLACE DECIMAL ± 0.015	
THREE PLACE DECIMAL ± 0.005	
INTERPRET GEOMETRIC TOLERANCING PER:	
MATERIAL	POLYPROPYLENE
FINISH	
DO NOT SCALE DRAWING	

DRAWN	NAME	DATE
BC		11/12/25
CHECKED		
ENG APPR.		
MFG APPR.		
Q.A.		
COMMENTS:	CUSTOMER DRAWING	

PAC-LITE		
250 Warden Ave., Elyria, OH 44035 844-527-5483		
TITLE: SPICE JAR - 4oz ROUND		
SIZE	DWG. NO.	REV
C	SJ-4/P000CD	1
SCALE: 1.5:1WEIGHT:		SHEET 1 OF 1

D

D

C

C

B

B

A

A

4

3

2

1